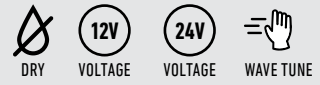


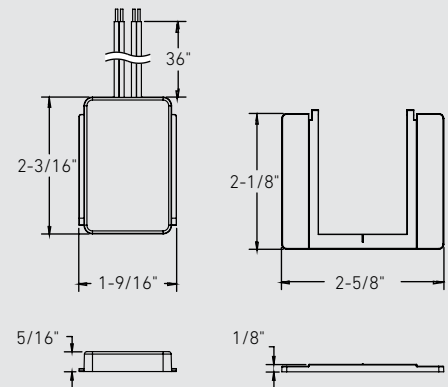
NEW

WAVE TUNE

Experience intuitive control with our 12V/24V Wave Sensor. A simple hand motion turns your lights on or off, while holding your hand adjusts brightness from 10% to 100%. Designed for precision and convenience, it works through materials up to 1.5 inches thick and is intended for surface mounting only.



UWS3



Model	Size	Minimum load	Maximum load	Input voltage	Output voltage
UWS3	2-1/4"	5 W	72 W	12V / 24 VDC	12V / 24V

Specifications

Compatible with 12 VDC and 24 VDC systems
 Maximum load: 3A (36W at 12V / 72W at 24V)
 On/off and dimming control from 100% to 10%
 Works through materials up to 1-1/2" thick
 Surface mount only
 Includes 36" connection wire
 5-year warranty

Finish

WH White

Note

Not compatible with DALI smart lights.
 Designed for use with standard 12V or 24V constant-voltage systems only.