



**DALS
LIGHTING**

Canada
80, de la Seigneurie blvd., E.
Blainville, Quebec J7C 4N1

U.S.A.
4383, NW 124th Ave.,
Coral Springs, Florida 33065

877.430.1818
info@dals.com
dals.com

MODEL RGM6-CC

NAME Facet

6" regressed gimbal downlight

This versatile modern thin-trim 2-, 4-, and 6-inch gimbal with multi-directional adjustable swivel produces a bright glow with minimal glare as a result of its regressed light source.



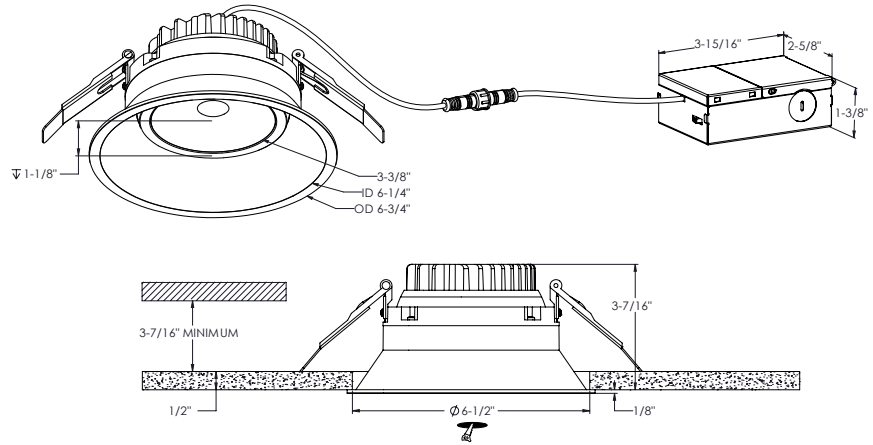
PROJECT

TYPE

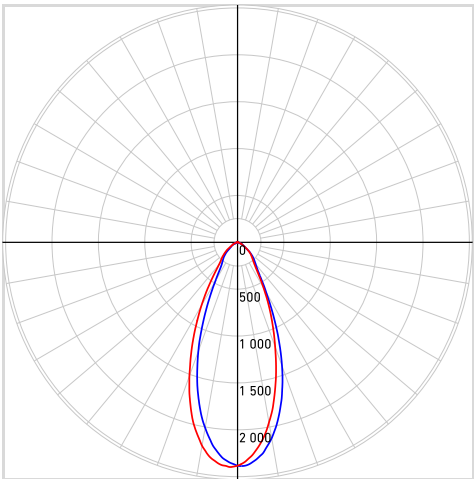
DATE

QTY

NOTES



LIGHT DISTRIBUTION



*Lumen output measured at 3000k

QUICK SPECS

Size	6"
Watts (W)	20
Delivered lumens*	1750
CRI	90
Voltage (v)	120
Beam angle (deg)	40
Cut hole size (in)	6-1/2"
FT rating	FT6
UGR	17.7
Binning	3 SDCM
LED model	COB
Color temperature	2700K/3000K/3500K/4000K/5000K
Certifications	ETL, FCC, ICES, JA8/T24, ES, IC, ASTM E283-04

ELECTRICAL DETAILS

Environment	Wet
Location	Indoor/Outdoor
Operating temp. (° C)	-20 to 40
IP rating	IP65
Input voltage (V)	108-135
Output voltage (V)	30-42
Output current (mA)	500
Power factor (%)	99
Driver type	Constant current
THD	≤ 20%
Lifespan (hrs)	50 000

ORDERING GUIDE

RGM6-CC	-	_____	-	_____
		<i>Voltage</i>		<i>Finish</i>
		BLANK - 120v, TRIAC		WH - White ○
		V - 120-277-347V, 0-10v		BK - Black ●

CONSTRUCTION

Lens material	Acrylic
Optic type	Optical lens
Finish type	Matte
Housing material	Aluminum

WHAT'S IN THE BOX

LED recessed fixture
 Junction box
 3x Push-in wire connectors
 Non-Metallic Connector 1/2in
 Instruction sheet

ACCESSORIES

[RFP-46](#)
 Drilling plate

[RFP-UNI](#)
 Universal drilling plate

ADAPTORS

[REC-CC-EXT8FT](#)
 96" extension cord for recessed fixtures

[REC-CC-EXT20FT](#)
 240" extension cord for recessed fixtures

RECOMMENDED DIMMER LIST*

BRAND	MODEL	DIMMER SPECS	DIMMING RANGE %		MAX LOAD (units)
			MIN	MAX	
Lutron	DVCL-153PR-WH-C*	Triac, 150 W Dimmable CFL/LED	7	99	8
Lutron	STCL-153PH-WH-C*	Triac, 150 W Dimmable CFL/LED	1	100	8
Lutron	MACL-153MRHW-WHC*	Triac, 150 W Dimmable CFL/LED	0	99	8
Lutron	DVELV-300P-WH	300W electronic low voltage dimmer	7	100	15
Lutron	MA-PRO-WH*	ELV, 250W LED/CFL	0	100	13
Lutron	Caseta PD-6WCL-WH-R-C*	Triac, 300W Dimmable CFL/LED	0	99	8
Lutron	Caseta PD-5NE-WH-C*	ELV, LED—up to 250 W	4	99	13
Lutron	Caseta PD-10NXD-WH*	Triac, LED—up to 250 W	0	99	13
Leviton	DSM10-1LZ*	Triac, 450W Dimmable CFL/LED	2	100	23
Leviton	6674*	Triac, 150 W Dimmable CFL/LED	10	100	8
Leviton	PL06-10Z*	Triac, 150 W Dimmable CFL/LED	8	100	8
Leviton	DSL06-1LZ*	Triac, 150 W Dimmable CFL/LED	8	100	8
Leviton	D26HD-742-1RW*	Triac, 300W LED/CFL	10	100	15
Legrand	RHL373PW*	Triac, 250W LED	5	100	13
Control 4	C4-APD120-WH	ELV, 120W LED	0	100	6
TP-Link	HS220*	Triac, 150 W, Dimmable LED (MLV)	3	100	8
Lutron	DVSTV (0–10 V Controls)*	960W, 8A, 120–277 V	1	94	48
Leviton	IP710-DLZ(0–10 V Controls)	1200VA, 10A LED, 120-277V	0	100	60
Leviton	ZS057-30Z(0–10 V Controls)	1388VA, 4A, 347V	0	100	40
Lutron	Vive PowPak Dimming Module RMJS-8T-DV-B	960VA, 8A, 120-277V	0	100	48

*With Low-End Adjustment Feature

Minimal buzzing noise may occur with some dimmers

WARRANTY

DALS offers a 5-year warranty from the date of purchase which covers repairs or replacement of defective parts of the housing, optics, and electronics. To contact DAL'S customer service call 1-877-430-1818 or send an e-mail to info@dals.com.